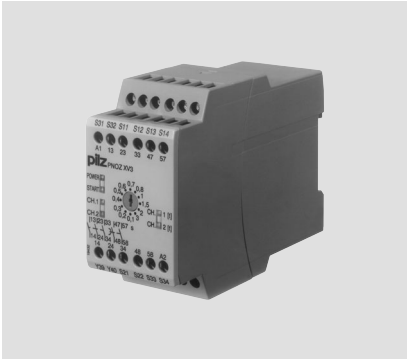


## Up to PL e of EN ISO 13849-1 PNOZ XV3



Safety relay for monitoring E-STOP pushbuttons and safety gates.

### Approvals

	PNOZ XV3
	◆
	◆
	◆

### Unit features

- ▶ Positive-guided relay outputs:
  - 3 safety contacts (N/O), instantaneous
  - 2 safety contacts (N/O), delay-on de-energisation
- ▶ Connection options for:
  - E-STOP pushbutton
  - Safety gate limit switch
  - Reset button
- ▶ Delay-on de-energisation, fixed or adjustable
- ▶ Delay time can be cancelled via reset button
- ▶ LED indicator for:
  - Switch status channel 1/2
  - Supply voltage
  - Reset circuit
- ▶ See order reference for unit types

The max. category the safety contacts can achieve in accordance with EN 954-1 and EN ISO 13849-1 is stated in the technical details.

### Safety features

The relay meets the following safety requirements:

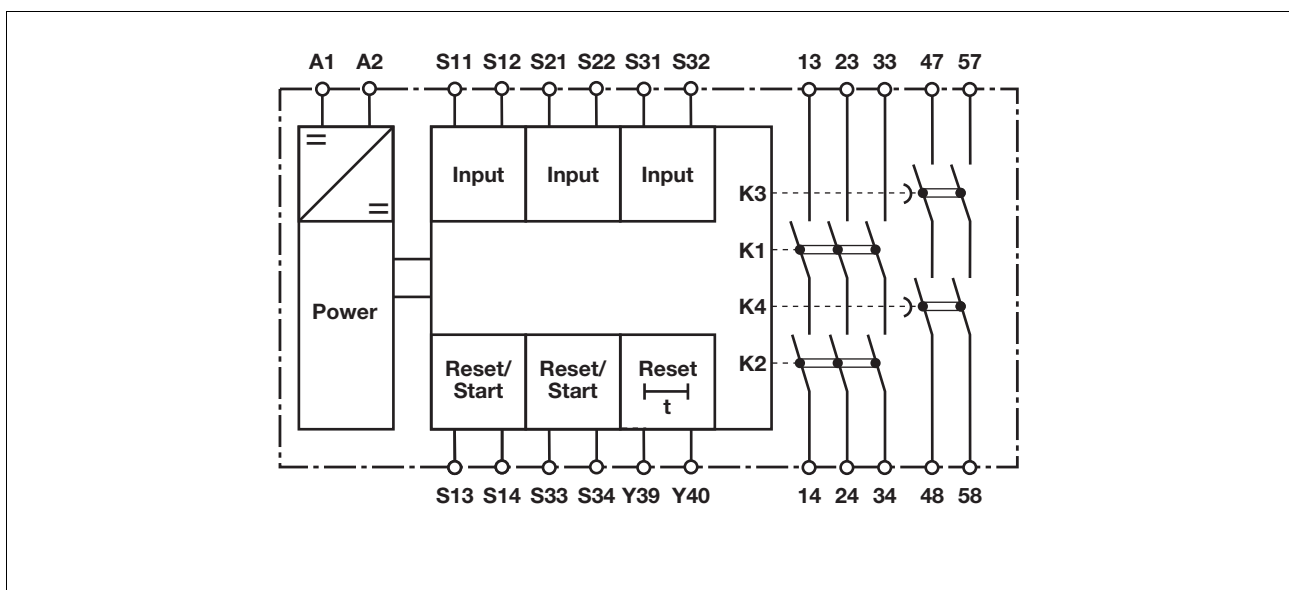
- ▶ The circuit is redundant with built-in self-monitoring.
- ▶ The safety function remains effective in the case of a component failure.
- ▶ The correct opening and closing of the safety function relays is tested automatically in each on-off cycle.
- ▶ The transformer is short circuit-proof. An electronic fuse is used on a DC supply.

### Unit description

The safety relay meets the requirements of EN 60947-5-1, EN 60204-1 and VDE 0113-1 and may be used in applications with

- ▶ E-STOP pushbuttons
- ▶ Safety gates
- ▶ Light beam devices

### Block diagram

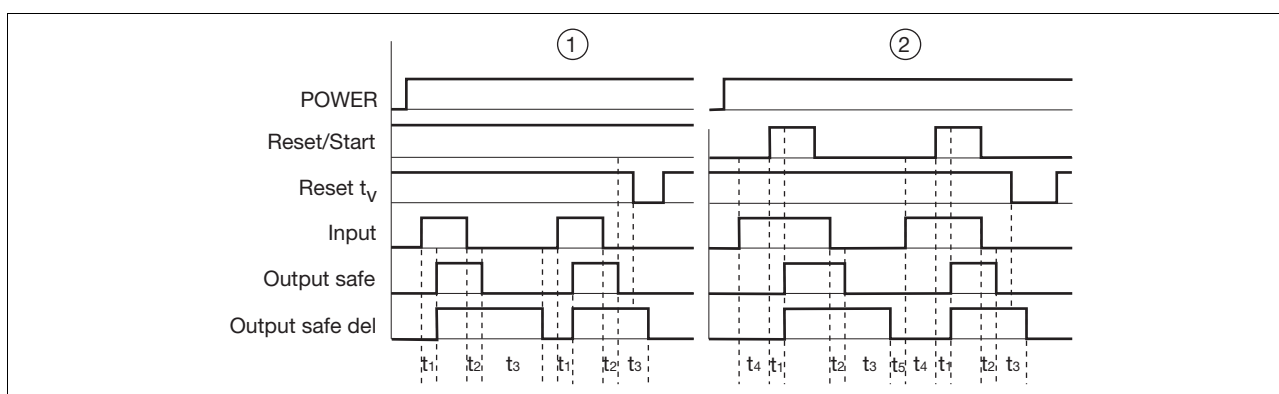


## Up to PL e of EN ISO 13849-1 PNOZ XV3

### Function description

- ▶ Single-channel operation: no redundancy in the input circuit, earth faults in the reset and input circuit are detected.
- ▶ Dual-channel operation with detection of shorts across contacts: redundant input circuit, detects
  - earth faults in the reset and input circuit,
  - short circuits in the input circuit and, with a monitored reset, in the reset circuit too,
  - shorts between contacts in the input circuit.
- ▶ Automatic start: Unit is active once the input circuit has been closed.
- ▶ Monitored reset: Unit is active once the input circuit is closed and once the reset circuit is closed after the waiting period has elapsed (see technical details).
- ▶ Increase in the number of available instantaneous safety contacts by connecting contact expansion modules or external contactors.

### Timing diagram



### Key

- ▶ Power: Supply voltage
- ▶ Reset/Start: Reset circuit S13-S14, S33-S34
- ▶ Reset  $t_v$ : Y39-Y40
- ▶ Input: Input circuits S11-S12, S21-S22, S31-S32
- ▶ Output safe: Safety contacts, instantaneous 13-14, 23-24, 33-34
- ▶ Output safe del: Safety contacts, delayed 47-48, 57-58
- ▶ ①: Automatic reset
- ▶ ②: Monitored reset
- ▶  $t_1$ : Switch-on delay
- ▶  $t_2$ : Delay-on de-energisation
- ▶  $t_3$ : Delay time
- ▶  $t_4$ : Waiting period
- ▶  $t_5$ : Recovery time

### Wiring

#### Please note:

- ▶ Information given in the “Technical details” must be followed.
- ▶ Outputs 13-14, 23-24, 33-34 are instantaneous safety contacts, outputs 47-48, 57-58 are delay-on de-energisation safety contacts.
- ▶ To prevent contact welding, a fuse should be connected before the output contacts (see technical details).
- ▶ Calculation of the max. cable runs  $l_{max}$  in the input circuit:
  - ▶ Use copper wire that can withstand 60/75 °C.
  - ▶ Sufficient fuse protection must be provided on all output contacts with capacitive and inductive loads.

$$l_{max} = \frac{R_{lmax}}{R_l / km}$$

$R_{lmax}$  = max. overall cable resistance (see technical details)

$R_l / km$  = cable resistance/km

## Up to PL e of EN ISO 13849-1 PNOZ XV3

### Preparing for operation

► Supply voltage

Supply voltage	AC	DC

► Input circuit

Input circuit	Single-channel	Dual-channel
E-STOP <b>without</b> detection of shorts across contacts		
E-STOP <b>with</b> detection of shorts across contacts		
Safety gate <b>without</b> detection of shorts across contacts		
Safety gate <b>with</b> detection of shorts across contacts		
Light barrier <b>with</b> detection of shorts across contacts via ESPE		

## Up to PL e of EN ISO 13849-1 PNOZ XV3

### ▶ Reset circuit

Reset circuit	E-STOP wiring Safety gate without position monitoring	Safety gate with position monitoring
Automatic reset		
Monitored reset		

### ▶ Reset delay time

Reset	Without reset	With reset
Link or N/C contact		

### ▶ Feedback loop

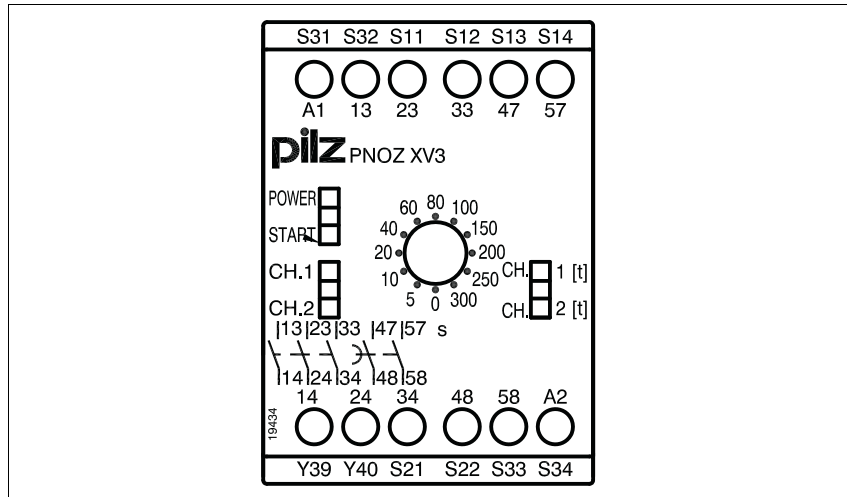
Feedback loop	Automatic reset	Monitored reset
Contacts from external contactors		

### ▶ Key

S1/S2	E-STOP/safety gate switch
S3	Reset button
	Switch operated
	Gate open
	Gate closed

## Up to PL e of EN ISO 13849-1 PNOZ XV3

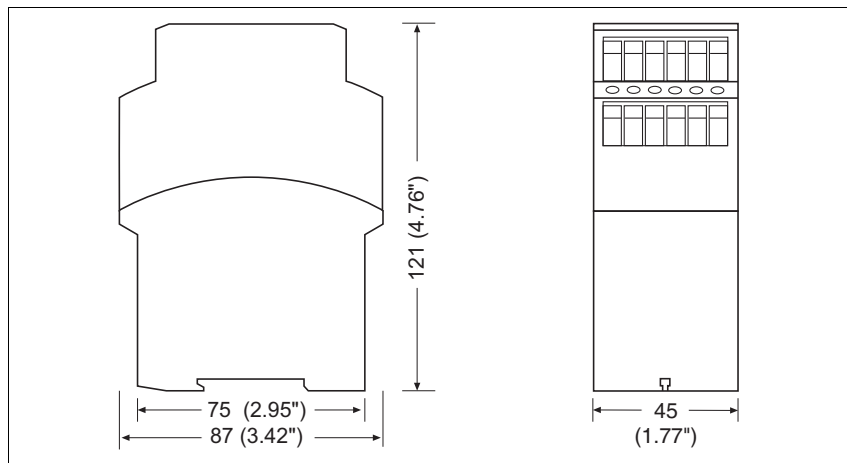
### Terminal configuration



### Installation

- ▶ The safety relay should be installed in a control cabinet with a protection type of at least IP54.
- ▶ Use the notch on the rear of the unit to attach it to a DIN rail.
- ▶ Ensure the unit is mounted securely on a vertical DIN rail (35 mm) by using a fixing element (e.g. retaining bracket or an end angle).

### Dimensions



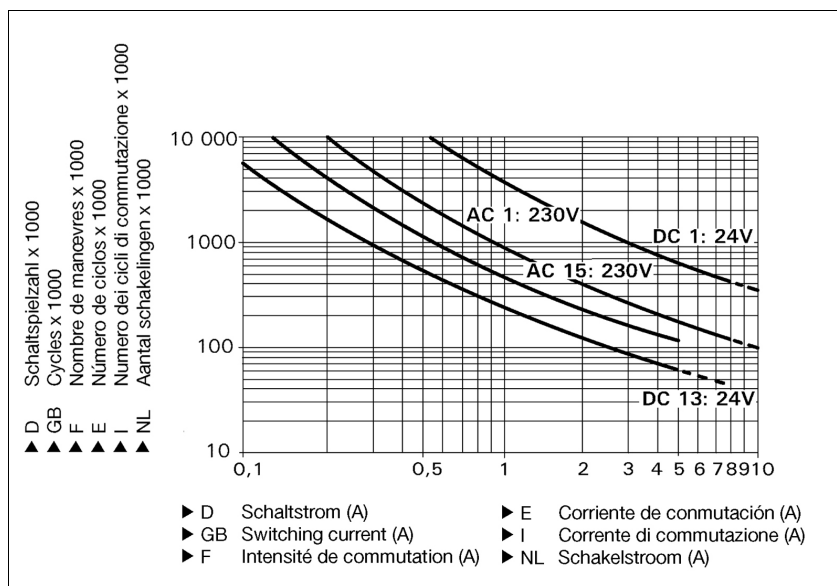
## Up to PL e of EN ISO 13849-1 PNOZ XV3

### Notice

This data sheet is only intended for use during configuration. Please refer to the operating manual for installation and operation.

### Service life graph

The service life graphs indicate the number of cycles from which failures due to wear must be expected. The wear is mainly caused by the electrical load; the mechanical load is negligible.



### Example

- ▶ Inductive load: 0,2 A
- ▶ Utilisation category: AC15
- ▶ Contact service life: 4,000,000 cycles

Provided the application requires fewer than 4,000,000 cycles, the PFH value (see technical details) can be used in the calculation.

To increase the service life, sufficient spark suppression must be provided on all output contacts. With capacitive loads, any power surges that occur must be noted. With contactors, use freewheel diodes for spark suppression.

### Technical details

#### Electrical data

Supply voltage	
Supply voltage $U_B$ AC	<b>24 V</b>
Supply voltage $U_B$ DC	<b>24 V</b>
Voltage tolerance	<b>-15 %/+10 %</b>
Power consumption at $U_B$ AC	<b>7.0 VA</b> No. 774541
Power consumption at $U_B$ DC	<b>4.5 W</b> No. 774540, 774542, 774544, 774545, 774547, 774548
Frequency range AC	<b>50 - 60 Hz</b>
Residual ripple DC	<b>160 %</b>
Voltage and current at	
Input circuit DC: <b>24.0 V</b>	<b>35.0 mA</b>
Reset circuit DC: <b>24.0 V</b>	<b>50.0 mA</b>
Feedback loop DC: <b>24.0 V</b>	<b>3.5 mA</b>

## Up to PL e of EN ISO 13849-1 PNOZ XV3

<b>Electrical data</b>	
Number of output contacts	
Safety contacts (S) instantaneous:	<b>3</b>
Safety contacts (N/O), delayed:	<b>2</b>
Utilisation category in accordance with <b>EN 60947-4-1</b>	
Safety contacts: AC1 at <b>240 V</b>	$I_{min}: 0.01 A, I_{max}: 8.0 A$ $P_{max}: 2000 VA$
Safety contacts: DC1 at <b>24 V</b>	$I_{min}: 0.01 A, I_{max}: 8.0 A$ $P_{max}: 200 W$
Safety contacts, delayed: AC1 at <b>240 V</b>	$I_{min}: 0.01 A, I_{max}: 8.0 A$ $P_{max}: 2000 VA$
Safety contacts, delayed: DC1 at <b>24 V</b>	$I_{min}: 0.01 A, I_{max}: 8.0 A$ $P_{max}: 200 W$
Utilisation category in accordance with <b>EN 60947-5-1</b>	
Safety contacts: AC15 at <b>230 V</b>	$I_{max}: 5.0 A$
Safety contacts: DC13 at <b>24 V</b> (6 cycles/min)	$I_{max}: 7.0 A$
Safety contacts, delayed: AC15 at <b>230 V</b>	$I_{max}: 5.0 A$
Safety contacts, delayed: DC13 at <b>24 V</b> (6 cycles/min)	$I_{max}: 7.0 A$
Contact material	<b>AgSnO<sub>2</sub> + 0.2μ Au</b>
External contact fuse protection ( $I_K = 1 kA$ ) to <b>EN 60947-5-1</b>	
Blow-out fuse, quick	
Safety contacts:	<b>10 A</b>
Safety contacts, delayed:	<b>10 A</b>
Blow-out fuse, slow	
Safety contacts:	<b>6 A</b>
Safety contacts, delayed:	<b>6 A</b>
Circuit breaker 24 VAC/DC, characteristic B/C	
Safety contacts:	<b>6 A</b>
Safety contacts, delayed:	<b>6 A</b>
Max. overall cable resistance $R_{lmax}$ input circuits, reset circuits	
single-channel at $U_B$ DC	<b>100 Ohm</b> No. 774540, 774542, 774544, 774545, 774547, 774548
single-channel at $U_B$ AC	<b>100 Ohm</b> No. 774541
dual-channel with detect. of shorts across contacts at $U_B$ DC	<b>10 Ohm</b> No. 774540, 774542, 774544, 774545, 774547, 774548
dual-channel with detect. of shorts across contacts at $U_B$ AC	<b>10 Ohm</b> No. 774541
Min. input resistance when switching on	<b>135 Ohm</b>
<b>Safety-related characteristic data</b>	
PL in accordance with <b>EN ISO 13849-1: 2006</b>	
Safety contacts, instantaneous	<b>PL e (Cat. 4)</b>
Safety contacts, delayed <30 s	<b>PL d (Cat. 3)</b>
Safety contacts, delayed ≥30 s	<b>PL c (Cat. 1)</b>
Category in accordance with <b>EN 954-1</b>	
Safety contacts, instantaneous	<b>Cat. 4</b>
Safety contacts, delayed <30 s	<b>Cat. 3</b>
Safety contacts, delayed ≥30 s	<b>Cat. 1</b>
SIL CL in accordance with <b>EN IEC 62061</b>	
Safety contacts, instantaneous	<b>SIL CL 3</b>
Safety contacts, delayed <30 s	<b>SIL CL 3</b>
Safety contacts, delayed ≥30 s	<b>SIL CL 1</b>
PFH in accordance with <b>EN IEC 62061</b>	
Safety contacts, instantaneous	<b>2.31E-09</b>
Safety contacts, delayed <30 s	<b>2.64E-09</b>
Safety contacts, delayed ≥30 s	<b>2.87E-09</b>
SIL in accordance with <b>IEC 61511</b>	
Safety contacts, instantaneous	<b>SIL 3</b>
Safety contacts, delayed <30 s	<b>SIL 3</b>
Safety contacts, delayed ≥30 s	<b>SIL 2</b>

## Up to PL e of EN ISO 13849-1 PNOZ XV3

Safety-related characteristic data	
PFD in accordance with IEC 61511	
Safety contacts, instantaneous	2.03E-06
Safety contacts, delayed <30 s	1.26E-05
Safety contacts, delayed ≥30 s	4.64E-05
T <sub>M</sub> [year] in accordance with EN ISO 13849-1: 2006	20
Times	
Switch-on delay	
with automatic reset typ.	350 ms
with automatic reset max.	650 ms
with automatic reset after power on typ.	385 ms
with automatic reset after power on max.	700 ms
on monitored reset with rising edge typ.	35 ms
on monitored reset with rising edge max.	70 ms
Delay-on de-energisation	
with E-STOP typ.	15 ms
with E-STOP max.	30 ms
with power failure typ.	85 ms
with power failure max.	200 ms
Recovery time at max. switching frequency 1/s	
after E-STOP	50 ms +tv
after power failure	250 ms
Delay time t <sub>V</sub> : selectable	0,00 s; 0,50 s; 1,00 s; 2,00 s; 4,00 s; 6,00 s; 8,00 s; 10,00 s; 15,00 s; 20,00 s; 25,00 s; 30,00 s No. 774540 0,00 s; 5,00 s; 10,00 s; 20,00 s; 40,00 s; 60,00 s; 80,00 s; 100,00 s; 150,00 s; 200,00 s; 250,00 s; 300,00 s No. 774541 0,10 s; 0,20 s; 0,30 s; 0,40 s; 0,50 s; 0,60 s; 0,70 s; 0,80 s; 1,00 s; 1,50 s; 2,00 s; 3,00 s No. 774542 0,00 s; 5,00 s; 10,00 s; 20,00 s; 40,00 s; 60,00 s; 80,00 s; 100,00 s; 150,00 s; 200,00 s; 250,00 s; 300,00 s No. 774548
Delay time t <sub>V</sub> : fixed	0.50 s No. 774544 10.00 s No. 774547 3.00 s No. 774545
Repetition accuracy	2 %
Time accuracy	-15% / +15% +50 ms
Waiting period with a monitored reset	
with rising edge	300 ms
Min. start pulse duration with a monitored reset	
with rising edge	30 ms
Simultaneity, channel 1 and 2	∞
Supply interruption before de-energisation	20 ms
Environmental data	
EMC	EN 60947-5-1, EN 61000-6-2
Vibration to EN 60068-2-6	
Frequency	10 - 55 Hz
Amplitude	0.35 mm
Climatic suitability	EN 60068-2-78
Airgap creepage in accordance with EN 60947-1	
Pollution degree	2
Overvoltage category	III / II
Rated insulation voltage	250 V
Rated impulse withstand voltage	4.00 kV
Ambient temperature	-10 - 55 °C
Storage temperature	-40 - 85 °C
Protection type	
Mounting (e.g. cabinet)	IP54
Housing	IP40
Terminals	IP20



## Up to PL e of EN ISO 13849-1 PNOZ XV3

Mechanical data	
Housing material	
Housing	<b>PPO UL 94 V0</b>
Front	<b>ABS UL 94 V0</b>
Cross section of external conductors with screw terminals	
1 core flexible	<b>0.20 - 4.00 mm<sup>2</sup> , 24 - 10 AWG</b>
2 core, same cross section, flexible:	
with crimp connectors, without insulating sleeve	<b>0.20 - 2.50 mm<sup>2</sup> , 24 - 14 AWG</b>
without crimp connectors or with TWIN crimp connectors	<b>0.20 - 2.50 mm<sup>2</sup> , 24 - 14 AWG</b>
Torque setting with screw terminals	<b>0.60 Nm</b>
Dimensions	
Height	<b>87.0 mm</b>
Width	<b>45.0 mm</b>
Depth	<b>121.0 mm</b>
Weight	<b>350 g</b> No. 774544, 774545, 774547 <b>360 g</b> No. 774540, 774541, 774542, 774548

No. stands for order number.

It is essential to consider the relay's service life graphs. The relay outputs' safety-related characteristic data is only valid if the values in the service life graphs are met.

The PFH value depends on the switching frequency and the load on the relay output.  
If the service life graphs are not accessible, the stated PFH value can be

used irrespective of the switching frequency and the load, as the PFH value already considers the relay's B10d value as well as the failure rates of the other components.

All the units used within a safety function must be considered when calculating the safety characteristic data.

### INFORMATION

A safety function's SIL/PL values are **not** identical to the SIL/PL values of the units that are used and may be different. We recommend that you use the PAScal software tool to calculate the safety function's SIL/PL values.

The standards current on **2010-07** apply.

Conventional thermal current while loading several contacts		
Number of contacts	$I_{th}$ per contact at $U_B$ DC	$I_{th}$ at $U_B$ AC
1	<b>8.00 A</b> No. 774540, 774542, 774544, 774545, 774547, 774548	<b>7.00 A</b> No. 774541
2	<b>6.80 A</b> No. 774540, 774542, 774544, 774545, 774547, 774548	<b>5.00 A</b> No. 774541
3	<b>5.50 A</b> No. 774540, 774542, 774544, 774545, 774547, 774548	<b>4.00 A</b> No. 774541
4	<b>4.80 A</b> No. 774540, 774542, 774544, 774545, 774547, 774548	<b>3.50 A</b> No. 774541
5	<b>4.30 A</b> No. 774540, 774542, 774544, 774545, 774547, 774548	<b>3.00 A</b> No. 774541

## Up to PL e of EN ISO 13849-1 PNOZ XV3

### Order reference

Type	Features	Terminals	Order no.	
PNOZ XV3	24 V DC	0.5 s fixed	Screw terminals	774 544
PNOZ XV3	24 V DC	3 s fixed	Screw terminals	774 545
PNOZ XV3	24 V DC	10 s fixed	Screw terminals	774 547
PNOZ XV3	24 V DC	3 s selectable	Screw terminals	774 542
PNOZ XV3	24 V DC	30 s selectable	Screw terminals	774 540
PNOZ XV3	24 V DC	300 s selectable	Screw terminals	774 548
PNOZ XV3	24 V AC	300 s selectable	Screw terminals	774 541