

Technical data sheet

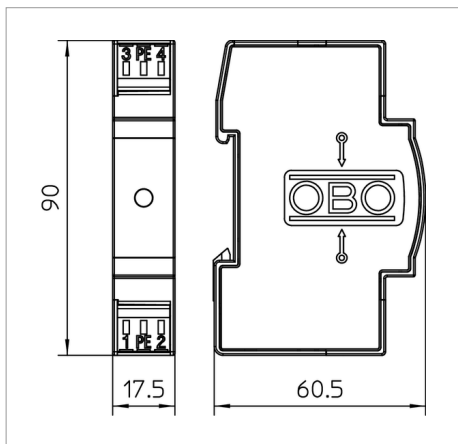
MCR protection for 2-pin for power supply, 230 V



Surge protection, fine power protection, type 3, to EN 61643-11 (D to VDE 0675 Part 6-11)

- Suitable for DC and AC voltage systems
- With visual function display
- With installation-friendly, screwless connection terminals
- In a space-saving 17.5 mm grid
- Y connection

Application: Universal use on 35 mm hat profile rails in standard distributor housings.



Type	U max DC V	U max AC V	Pack Units	Weight kg/100 pc.	Art.-No.
VF12-AC DC		13.5	1	9.000	5097453
VF24-AC/DC		34	1	8.000	5097607
VF48-AC/DC		60	1	8.000	5097615
VF60-AC/DC		80	1	8.000	5097623
VF110-AC DC		150	1	8.000	5097631
VF230-AC/DC		255	1	8.000	5097650

/pc.